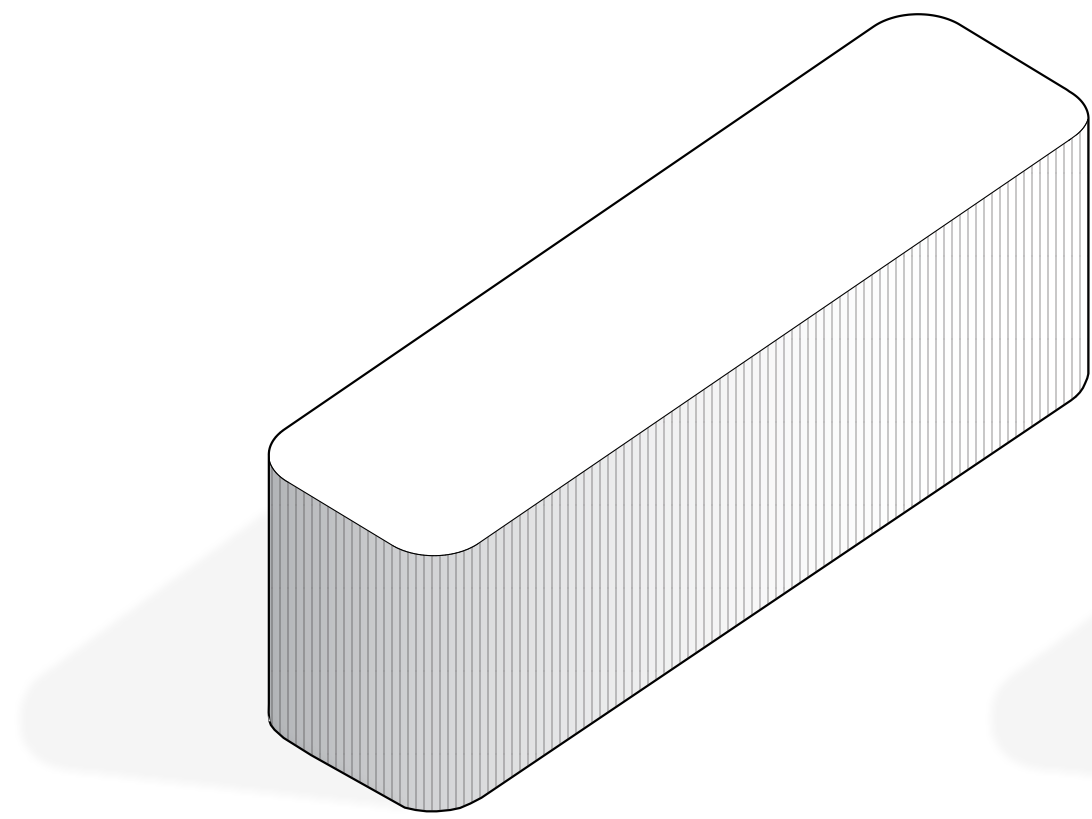


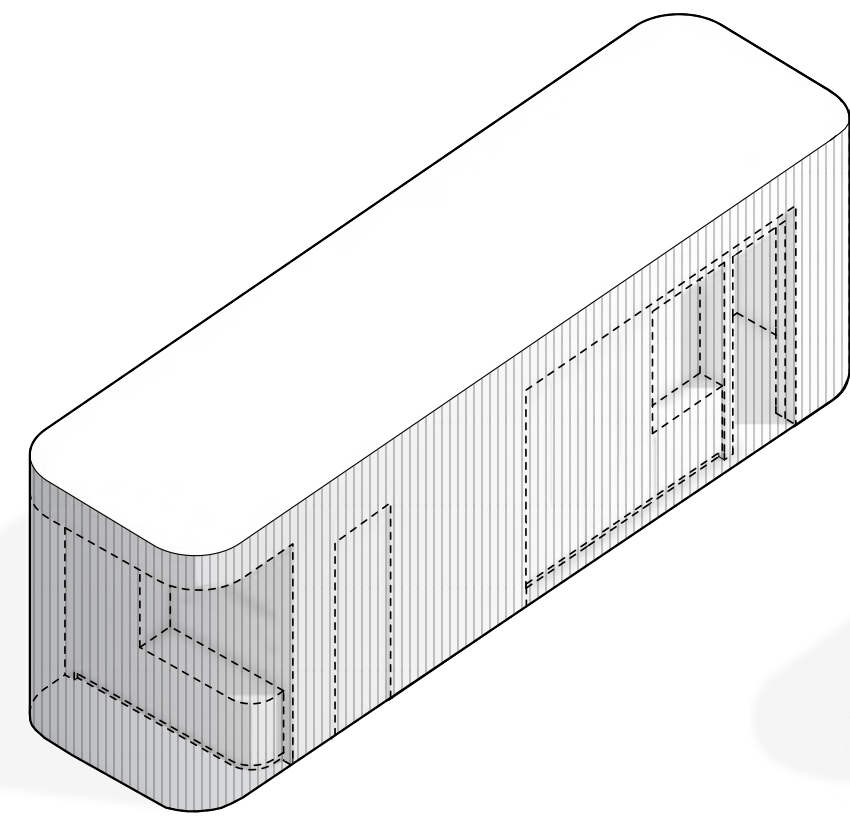
53292297

Cary Pediatric Dentistry
Cary, North Carolina

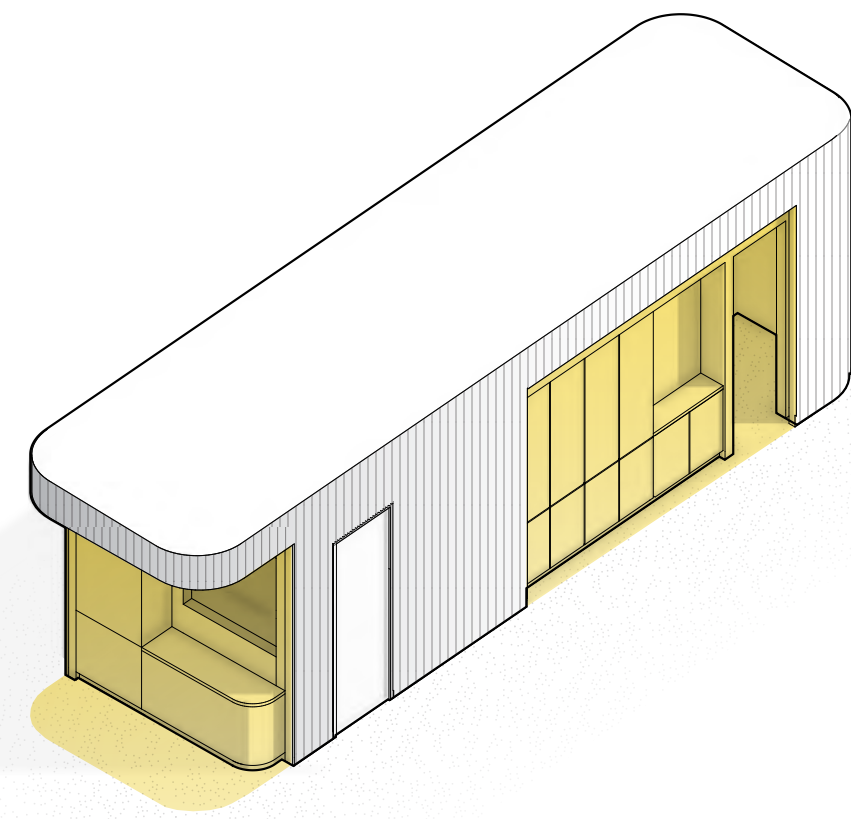




Volume



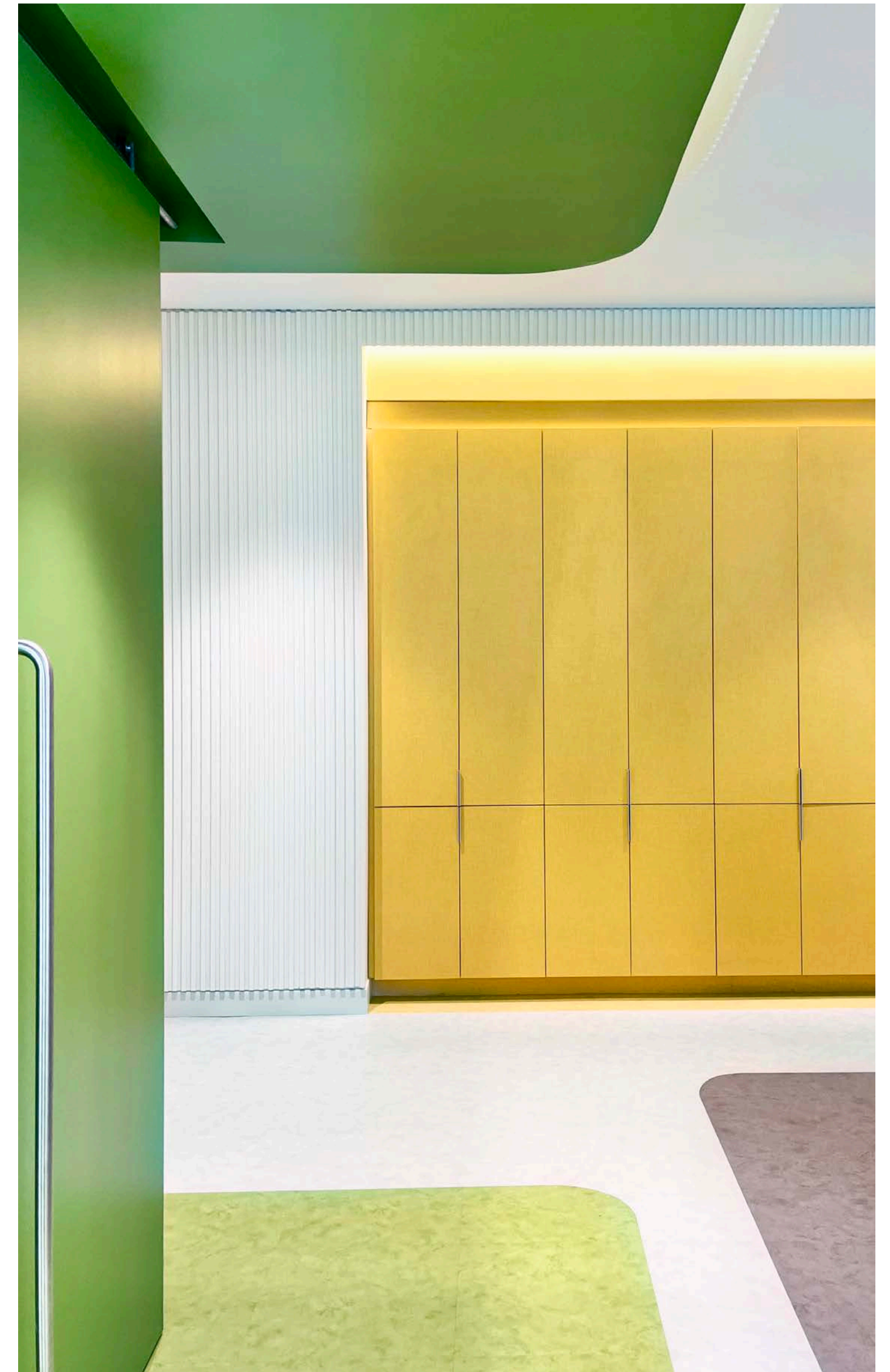
Carve

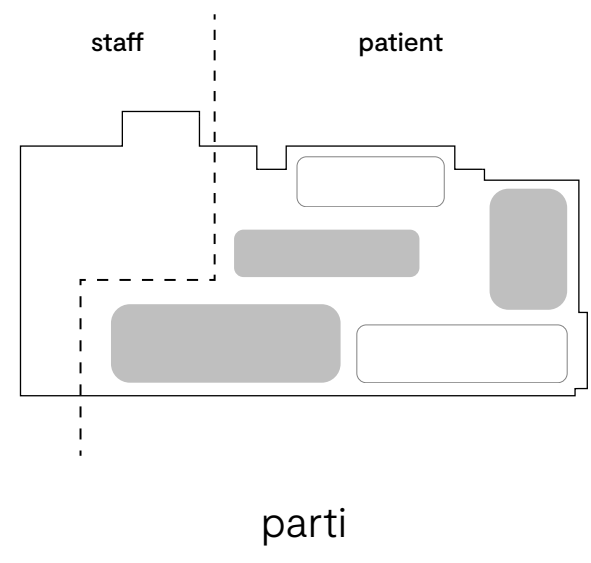


Reveal

Form Development

The central volume uniting patient program is carved in at key areas, exposing vibrant color. Linear cove lighting recessed above highlights these elements along the main circulation path. By using color as a driver for expressing these program elements, simple and durable yet cost-effective materials were used. The selective use of color is amplified by a more neutral backdrop and textured tambour panel cladding.



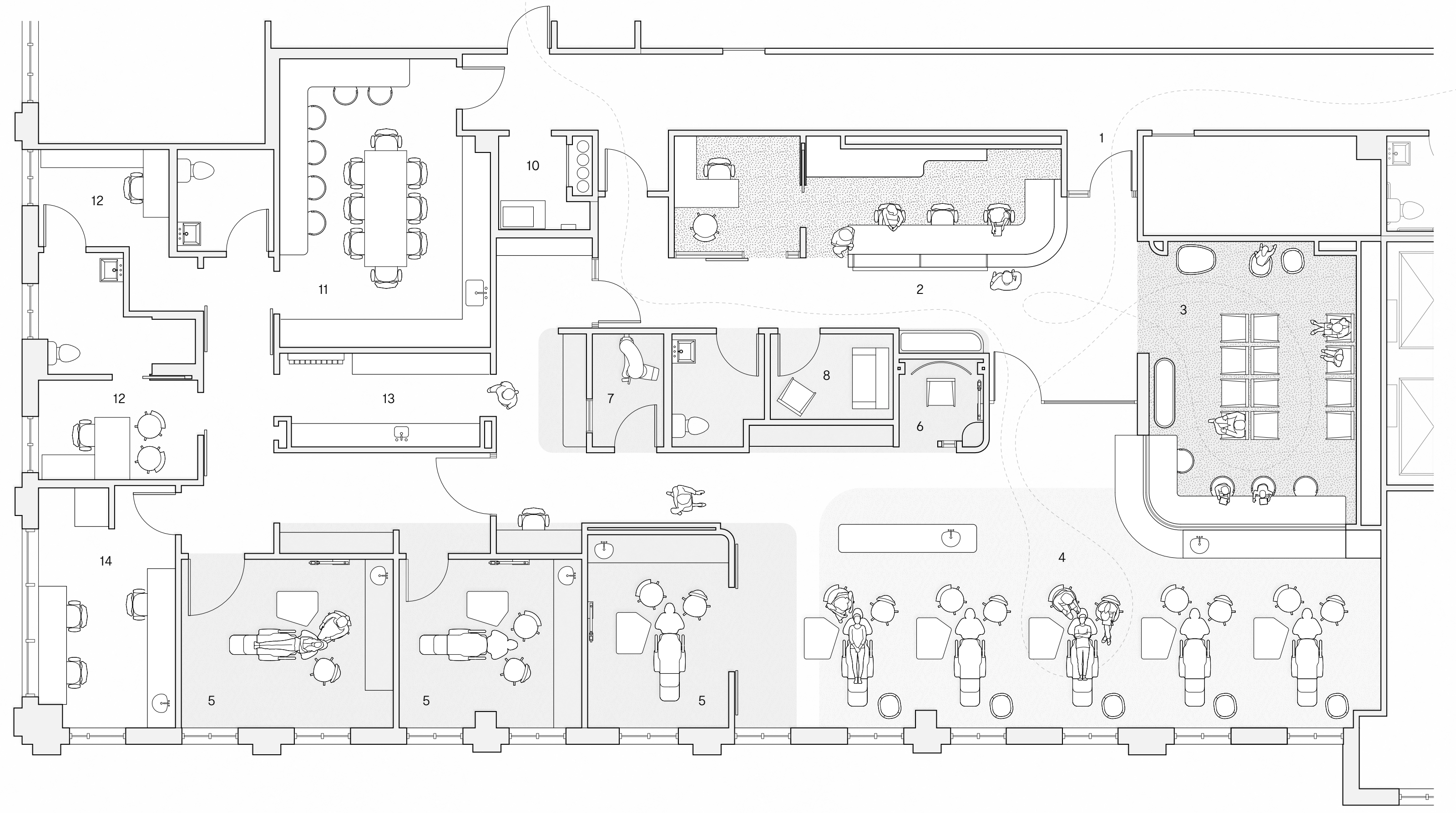


- 1 Entry
- 2 Check In
- 3 Waiting Area
- 4 Treatment Bay
- 5 Private Treatment
- 6 X-Ray Room
- 7 Panoramic Room
- 8 Consultation Room
- 9 Office Manager
- 10 Equipment
- 11 Staff Break Room
- 12 Doctors' Offices
- 13 Sterilization
- 14 Lab



Floor Plan

Filleted volumes house waiting and specialized treatment areas and, in turn, define interstitial zones for circulation and general treatment bays. Spaces are scaled to reduce anxiety and foster comfort for children and caregivers.













Details

Simple construction methods were utilized to convey the concept with high visual impact. A lighting cove highlights the inner form, while flexible tambour unifies the volumes across the space.

